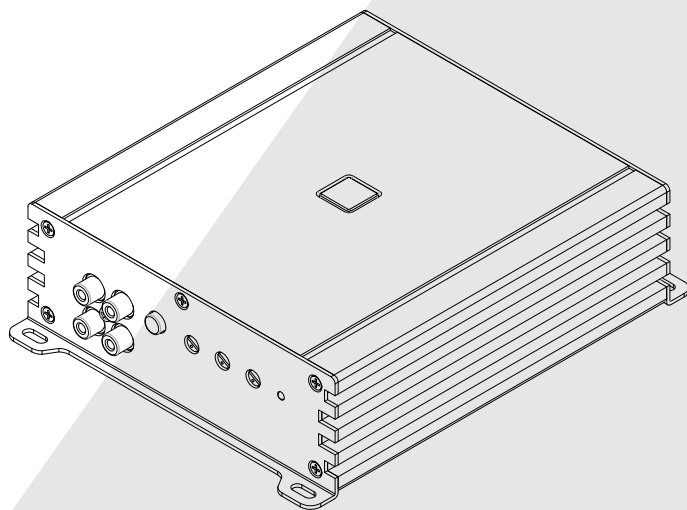


USER MANUAL

使用指南

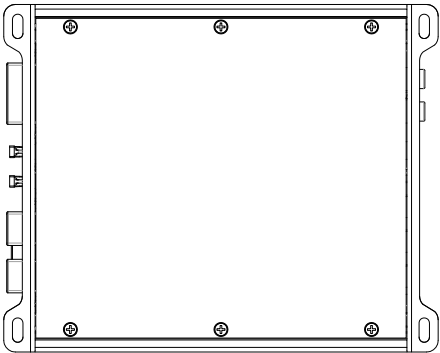
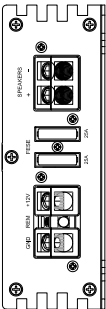
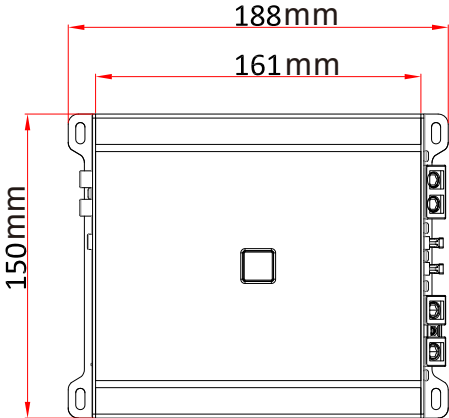
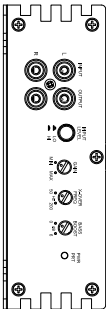
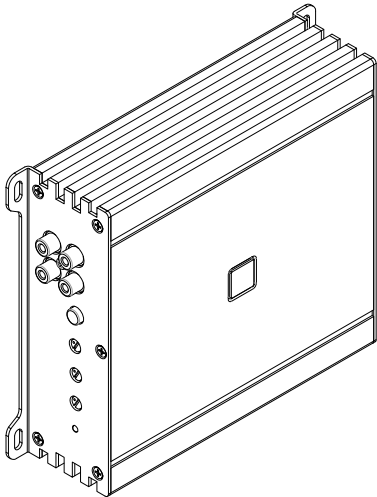
awave



A500.1

Mono Car Audio Power Amplifier

A500.1



A500.1技术规格

Power Supply	电源	
Power Supply voltage	电源电压	:8-16 VDC

Amplifier Stage	功放极	
Output power (RMS) @ 14.4V / 4 Ω	输出功率(RMS) @ 14.4V / 4 Ω	:250 Watt x 1
Output power (RMS) @ 14.4V / 2 Ω	输出功率(RMS) @ 14.4V / 2 Ω	:500 Watt x 1
Output power (max) @ 14.4V / 4 Ω	输出功率(最大) @ 14.4V / 4 Ω	:500 Watt x 1
Output power (max) @ 14.4V / 2 Ω	输出功率(最大) @ 14.4V / 2 Ω	:1000 Watt x 1
Distortion (THD)	失真度	:<0.1% 4 Ω /125W
S/N Ratio	信噪比	:>95dB 额定功率
Input sensitivity	输入灵敏度	:80mV-3.5V :150mV-6.5V

Filters	滤波器	
Low pass filter / slope	低通滤波器/斜率	:50Hz-200Hz/24dB
Subsonic filter / slope	次低音滤波器/斜率	:25Hz/24dB
Bass Boost Frequency	低音提升频率	:0-6dB/40Hz

Other Functions	其它功能	
Max size (WxHxL)	最大尺寸 (WxHxL)	:150 x 50 x 188mm

A500.1 前面板

- 1.**  **PWR PRO**

LED指示灯
当此灯为蓝色时，功放正常工作。
当此灯为红色时，功放进入保护状态，有可能是温度过热保护、欠压保护、输出短路保护。
- 2.**  **BASS BOOST**

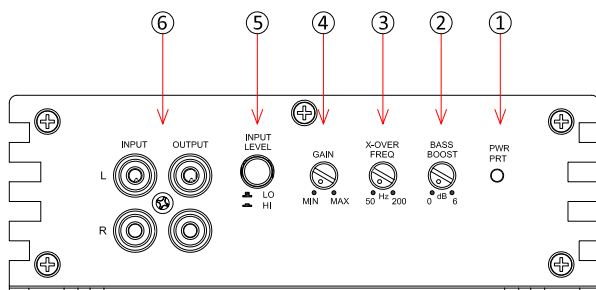
提升旋钮
当旋转此旋钮时，声音在40Hz提升0-6dB
- 3.**  **X-OVER FREQ**

低通频响旋钮
50Hz: 当旋钮指向些位置时，频响为50Hz
200Hz: 当旋钮指向些位置时，频响为200Hz
- 4.**  **GAIN**

音量控制旋钮
MIN: 当旋钮指向些位置时，声音最小。
MAX: 当旋钮指向些位置时，声音最大。
- 5.**  **INPUT LEVEL**

高低输入开关
当开关弹起来时，灵敏度是 80 mV到 3.5V。
当开关按下时，灵敏度是150mV到 6.5V。
- 6.**  **INPUT OUTPUT**

RCA信号输入
用信号线连接汽车上的主设备（AM/FM/CD）输出端。



A500.1 Front Panel

1.



LED
Blue – Working properly
Red – Protection mode. Possibly caused by over heat, low voltage or short circuit.

2.



Boost
Turn up this knob, output level increases 0-6dB at 40Hz

3.



Low pass frequency
50Hz: Pass through signal under 50Hz
200Hz: Pass through signal under 200Hz

4.



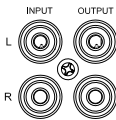
Volume
MIN: Lowest output
MAX: Highest output

5.

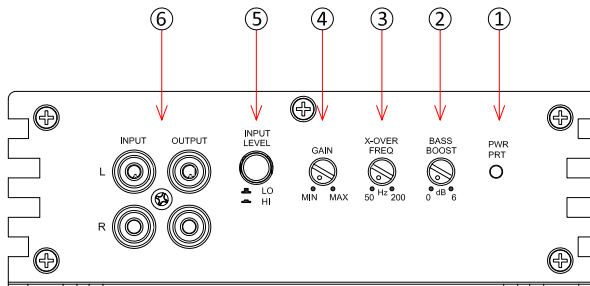


Input Level
Pop-up: Sensitivity 125mV to 5V
Press down: Sensitivity 250mV to 10V

6.



RCA input
Use cable to connect headunit(AM/FM/CD) output



A500.1 后面板

1.电源终端

GND: 连接GND端子/机箱接地。

建议用8AWG电缆。

REM: 远程开机控制

将远程终端连接到您音响主机的远程输出。

+12:

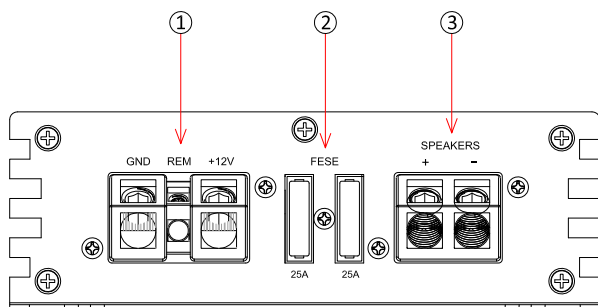
建议用8AWG线连接此处与汽车蓄电池的正极。

2.FUSE: 保险丝座

功放上装有2个25A保险丝。

3.扬声器终端

将(+)和(-)端子连接到扬声器上，确保极性正确。具体接法见接线图。



A500.1 Rear Panel

1. Power connectors

GND: Connect GND to ground of chassis.
Recommend to use 8AWG power cable.

REM: Remote turn on

Connect REM to the headunit remote output.

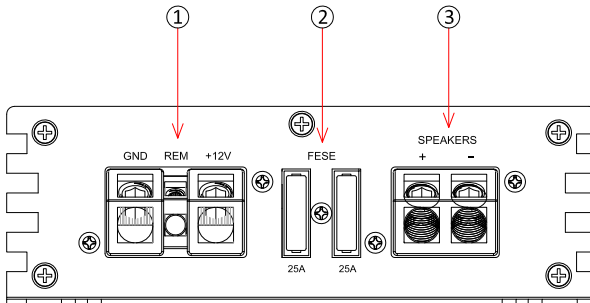
+12V: Recommend to use 8AWG power cable to connect automobile battery Positive connector

2. FUSE

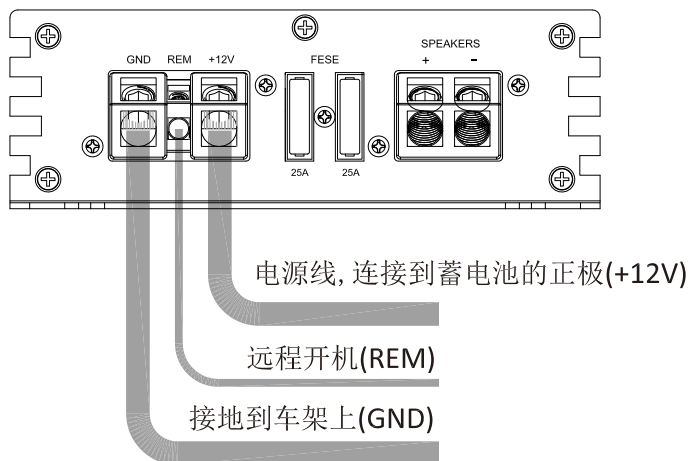
Two 25A fuses are installed on this amplifier

3. Speaker terminals

Connect to speaker terminals. Make sure connecting to the right polarities. See below connection schematic.

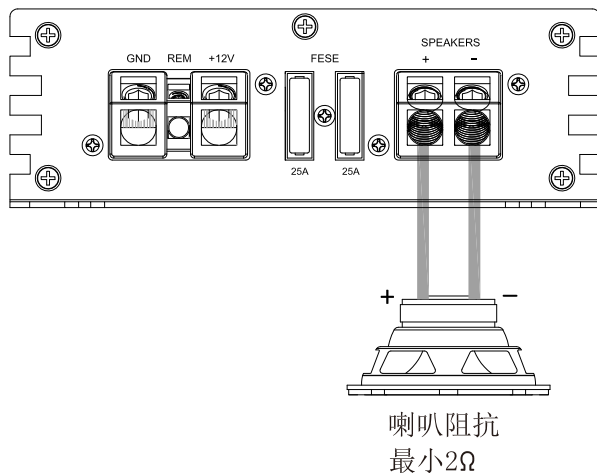


A500.1 电源接线图

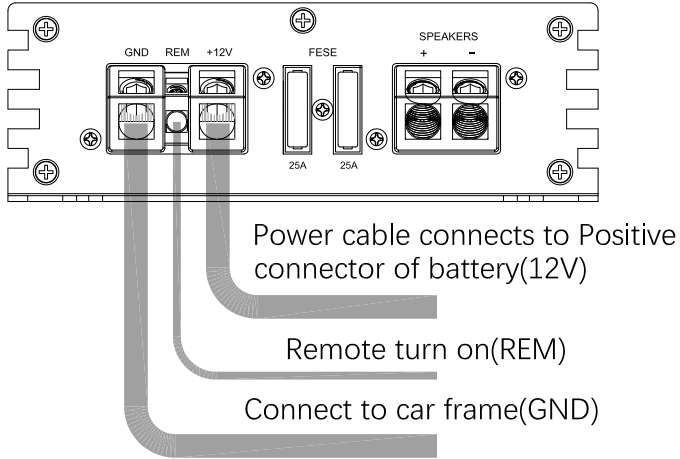


电源线与接地线请用8AWG电缆

A500.1喇叭接线图

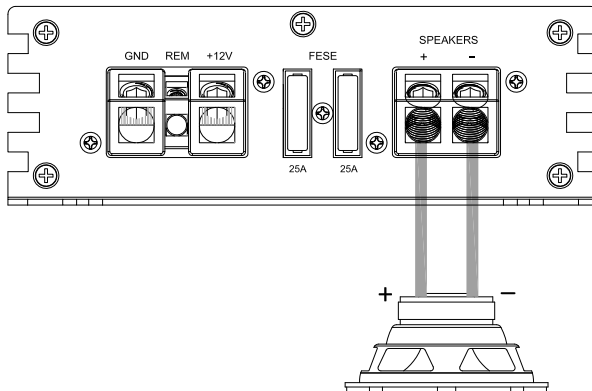


A500.1 Power connection Schematic



Please use 8AWG power cable to connect +12V and GND

A500.1 Speaker connection Schematic



Minimum impedance of speaker is 2ohm.