

5.REMOTE INTRODUCTION



1. A.Main volume.
B.When you press this button for a short time,It is in the "MUTE" state. And the close "MUTE".
C.When you press this button for a longer time(for a second) ,It will enter the menu mode .
In the "MODE" or "INPUT" flashing. You can adjust the mode which you want.
- 2.Main volume display window.
- 3.DSP mode display window(1-8).
- 4.Input display status.(CD. BT).

6.TECHNICAL FEATURES

POWER SUPPLY

Voltange	8.5-15VDC
Idling current	1.5A

SIGNAL STAGE

Distortion - THD @ 1kHz, 1V RMS Output	0.01%
Bandwith @-3 dB	10-20kHz
S/N ratio Full Power A-	98 dB
Hight level input range	3V-15V
THD+N VS Power 1%	(CH1 CH2 CH3 CH4) 4X50W ATTS

INPUT STAGE

High Level(Speaker)	1.2.3.4
---------------------	---------

CONNECTION

From/To Personal Computer	1 x USB/B(1.1/2.0) 5M
---------------------------	-----------------------

CROSSOVER N.5(one each output channel)

Filter Type	Full/High/Low Pass /Band Pass
Slope Setting	6/12/18/24/30/42/48 dB
Crossover frequency	68 steps @ 20- 20kHz
Phase control indepent setting for each channel	0 - 180°

awave

Ower's Manual DSP Car Power Amplifiers

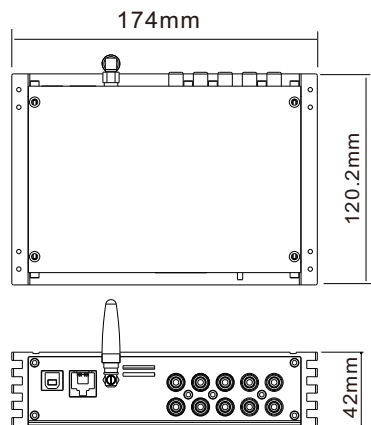


DSP A6

DIGITAL SIGNAL PROCESSOR

1.DSP AND DRC INSTALLATION

External dimensions

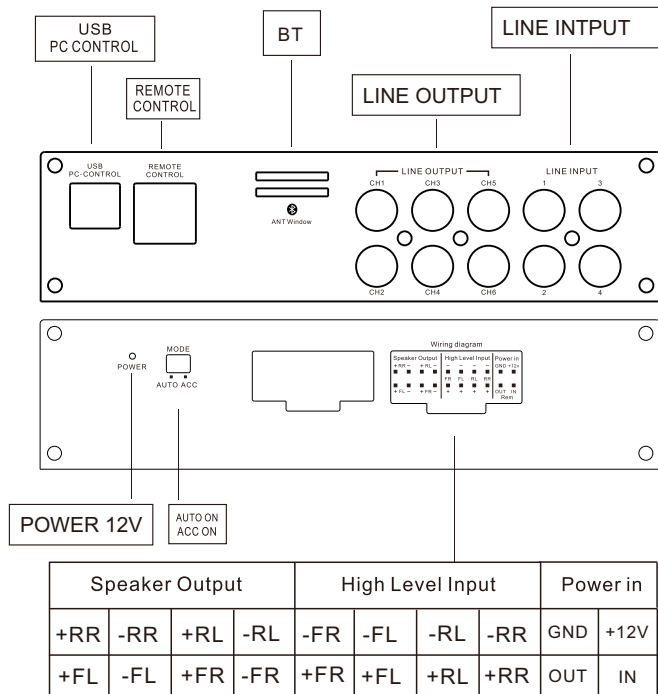


How to install



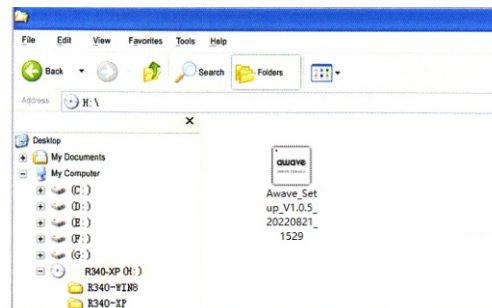
WARNING: do not use aggressive cleaning agents or abrasive cloth to clean the display. Simply use a soft cotton cloth lightly damped with water.

2. INPUT SIGNALS

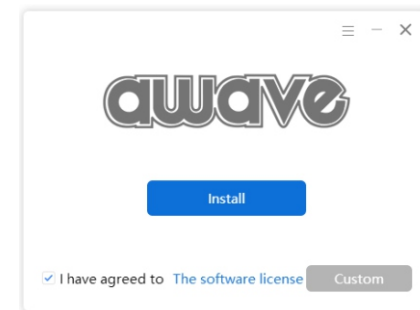


3.SOFTWARE INSTALLATION

1.Insert CD, Double-Click DSP



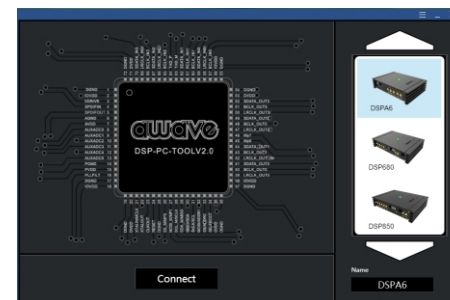
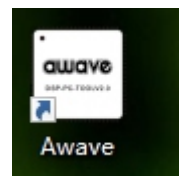
2.Click NEXT



4.GUI OPERATION INSTRUCTION

Guide to GUI after installation

1. Double - click icon of DSP-CONTROL



2. Enter the GUI you long for! Now you could tone every signal details as experts do To bring sound effect on your beloved car to a higher level.If the password has been set, You need to enter the password.

