

GTtrading保留对所示产品进行修改或改进的权利，恕不另行通知 - 所示产品的可用性可能会有所更改 - 本用户指南中描述的产品仅代表可用STEG产品的一部分 - 提及的所有品牌和商标 仅用于描述目的，所有权利归属于所有者 - 禁止全部或部分复制本用户指南。

GTtrading reserves the right to make modifications or improvements to the products illustrated without notice thereof-The availability of the products illustrated is subject to change-The products described in this User's Guide represent just a part of the STEG products available-All brands and trademarks mentioned have been used exclusively for description purposes and all rights belong to the respective owners-Total or partial reproduction of this User's Guide is prohibited.

product concept
engineering
production
distribution

GTtrading[®]
CAR & HOME AUDIO HI-FI EQUIPMENT

ITALY
www.gt-trading.it
info@gttrading.it

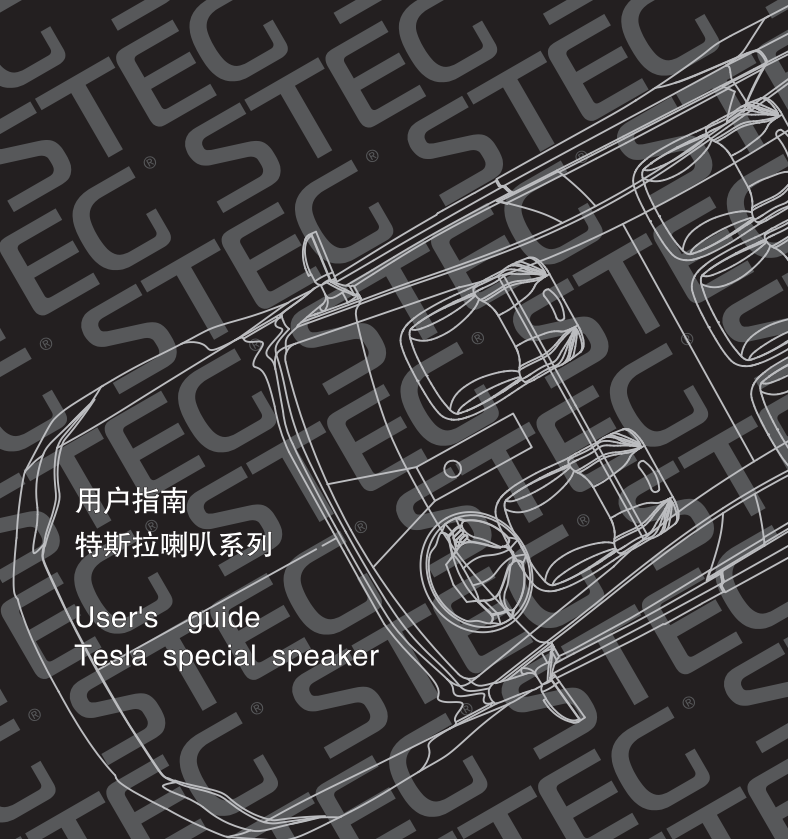
TESLA

DEDICATED SPEAKER[®]

MT 4
MT 4B
MT 4C
MT 8

用户指南
特斯拉喇叭系列

User's guide
Tesla special speaker



用户手册：

感谢您购买STEG品牌喇叭，这是一款专门为您精心设计和研发的特斯拉专车专用系列喇叭。她用心制造，忠诚做您心灵栖息的温暖港湾！本产品已经通过全面的测试，以确保其性能的一致性和可靠性。

安全须知：

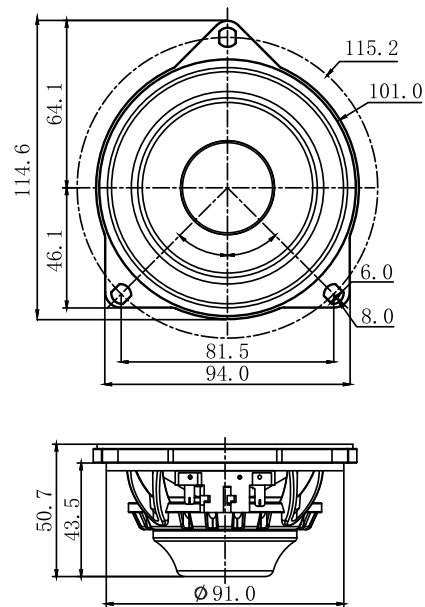
- 在打孔安装本产品之前，请确认安装空间是否合适，并仔细阅读、理解所有相关说明，如果由于未遵循说明而造成损害，则将不能享受保修。
- 请使用随附的安装配件，以确保安装安全稳固。
- 切勿在超出最大功率的情况下使用该扬声器。
- 为了防止噪音干扰，请确保接线远离发动机，高压导线和其它潜在的噪音来源。为防止短路，请确保布线避开运动的部件和锋利的边缘。用柔软的布清洁该扬声器，切勿使用酒精、化学品或家用清洁剂等物质清洁本产品。

保证条件：

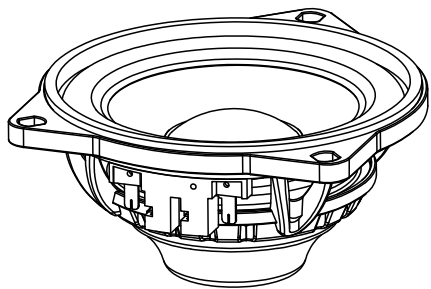
- 所有STEG扬声器均由您所在国家的官方STEG经销商制定保修服务。
- 您的经销商可以提供有关担保条件的所有详细信息。保证范围至少延伸至原始购买发票所在国有效的法律保证中所授予的范围。

MT4中音喇叭技术参数：

| | |
|----------------|------------|
| 阻抗(Ω) | 4 Ω |
| 频率响应(Hz) | 90-15K Hz |
| 额定功率(W) | 30 W |
| 最大功率(W) | 60 W |
| 灵敏度(dB 1W/1M) | 88 dB |
| Qms | 4.253 |
| Qes | 0.507 |
| Qts | 0.453 |
| Mms | 6.620 g |
| Vas | 3.642 Ltr |
| 重量 | 0.26 KG |
| 安装深度 | 45.5 MM |
| 安装直径 | 91.5 MM |

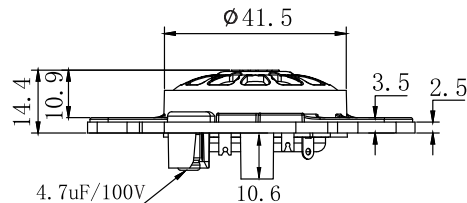


MT4产品包装清单:

MT4中音喇叭
X2中音连接线
X2用户指南
X1保修卡
X1

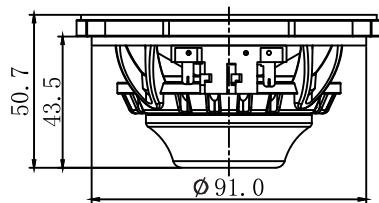
MT4B高音喇叭技术参数:

| | |
|----------------|-------------|
| 阻抗(Ω) | 4 Ω |
| 频率响应(Hz) | 1200-22K Hz |
| 额定功率(W) | 25 W |
| 最大功率(W) | 50 W |
| 灵敏度(dB 1W/1M) | 91 dB |
| Qms | 2.059 |
| Qes | 1.402 |
| Qts | 0.834 |
| 重量 | 60 g |

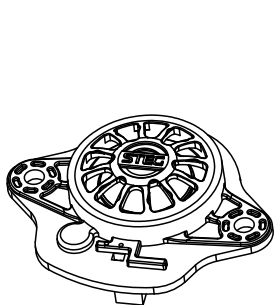


MT4B中音喇叭技术参数:

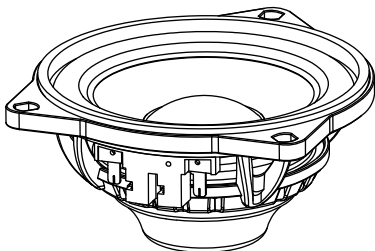
| | |
|----------------|------------|
| 阻抗(Ω) | 4 Ω |
| 频率响应(Hz) | 90-15K Hz |
| 额定功率(W) | 30 W |
| 最大功率(W) | 60 W |
| 灵敏度(dB 1W/1M) | 88 dB |
| Qms | 4.253 |
| Qes | 0.507 |
| Qts | 0.453 |
| Mms | 6.620 g |
| Vas | 3.642 Ltr |
| 重量 | 0.26 KG |
| 安装深度 | 45.5 MM |
| 安装直径 | 91.5 MM |



MT4B产品包装清单:



MT4B高音喇叭
X1



MT4B中音喇叭
X1



中音连接线
X1



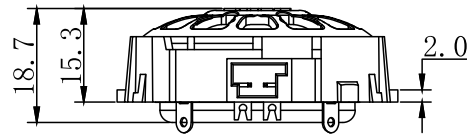
用户指南
X1



保修卡
X1

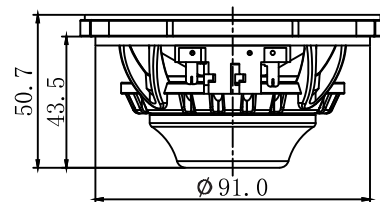
MT4C高音喇叭技术参数:

| | |
|----------------|-------------|
| 阻抗(Ω) | 4 Ω |
| 频率响应(Hz) | 1200-22K Hz |
| 额定功率(W) | 25 W |
| 最大功率(W) | 50 W |
| 灵敏度(dB 1W/1M) | 91 dB |
| Qms | 2.059 |
| Qes | 1.402 |
| Qts | 0.834 |
| 重量 | 55 g |

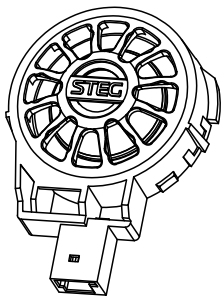
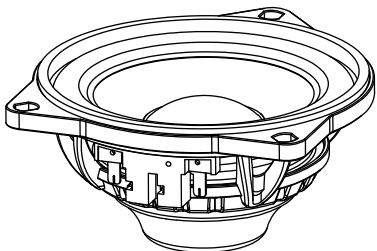
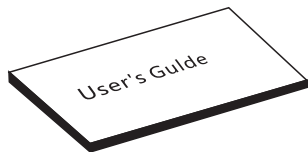


MT4C中音喇叭技术参数:

| | |
|----------------|------------|
| 阻抗(Ω) | 4 Ω |
| 频率响应(Hz) | 90-15K Hz |
| 额定功率(W) | 30 W |
| 最大功率(W) | 60 W |
| 灵敏度(dB 1W/1M) | 88 dB |
| Qms | 4.253 |
| Qes | 0.507 |
| Qts | 0.453 |
| Mms | 6.620 g |
| Vas | 3.642 Ltr |
| 重量 | 0.26 KG |
| 安装深度 | 45.5 MM |
| 安装直径 | 91.5 MM |

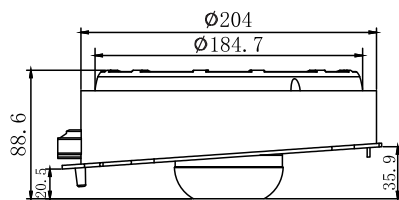
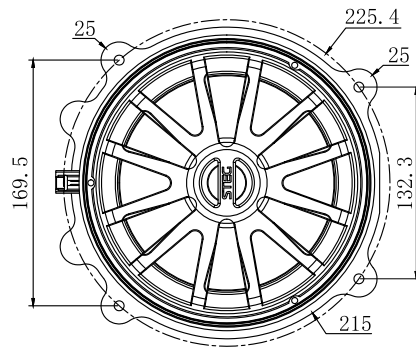


MT4C产品包装清单:

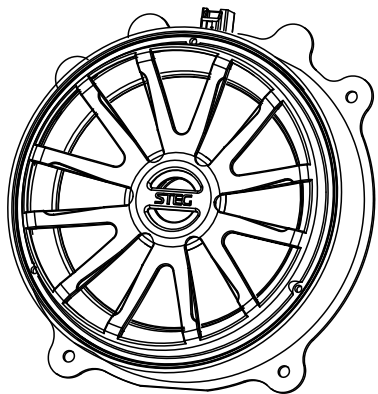
MT4C 高音喇叭
X2MT4C中音喇叭
X2中音连接线
X2用户指南
X1保修卡
X1

MT8喇叭技术参数:

| | |
|----------------|--------------|
| 型号 | MT8 |
| 阻抗(Ω) | 2.0 Ω |
| 频率响应(Hz) | 50-5000 Hz |
| 额定功率(W) | 50 W |
| 最大功率(W) | 100 W |
| 灵敏度(dB 1W/1M) | 88 dB |
| Qms | 5.461 |
| Qes | 0.356 |
| Qts | 0.334 |
| Mms | 30.614 g |
| Vas | 15.894 Ltr |
| 重量 | 1.43 KG |



MT8产品包装清单：



MT8低音喇叭
X2



用户指南
X1



保修卡
X1

User manual:

Thank you for purchasing the STEG brand speaker, which is a special coaxial series speaker for TESLA special designed and developed for you. She makes it with heart and is loyal to the warm harbor where your soul lives! This product has been thoroughly tested to ensure consistent performance and reliability.

Safety instructions:

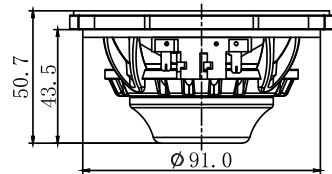
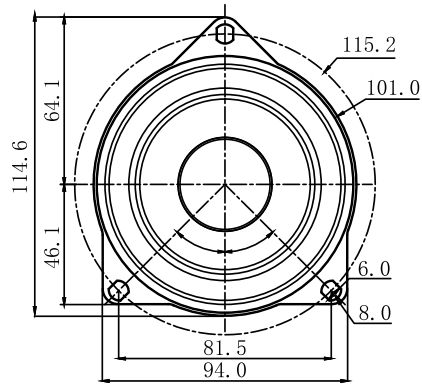
- Before installing this product, make sure that the installation space is appropriate and read and understand all the instructions. If you do not follow the instructions, you will not be able to enjoy the warranty.
- Use the supplied mounting accessories to ensure safe and secure installation. Do not use the loudspeaker beyond maximum power.
- To prevent noise interference, make sure that the wiring is away from the engine, high voltage wires, and other potential noise sources.
- To prevent short circuits, make sure that wiring avoids moving parts and sharp edges.
- Clean the speaker with a soft cloth and do not use alcohol, chemicals, or household cleaners to clean the product.

Guarantee conditions:

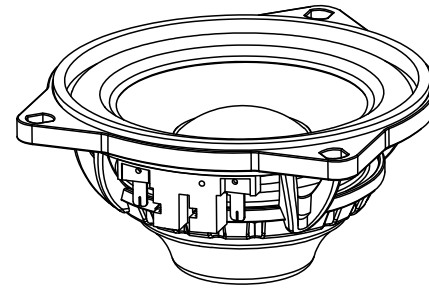
- All STEG speakers are covered by the official STEG dealer in your country.
- Your dealer can provide all the details about the warranty. The scope of the guarantee extends at least to the extent permitted by the legal guarantee in the country where the original purchase invoice is located.

MT4 Midrange Technical Parameters :

| | |
|-------------------------|------------|
| Impedance (Ω) | 4 Ω |
| Frequency Response (Hz) | 90-15K Hz |
| Rated power (W) | 30 W |
| Maximum power (W) | 60 W |
| Sensitivity (dB 1W/1M) | 88 dB |
| Qms | 4.253 |
| Qes | 0.507 |
| Qts | 0.453 |
| Mms | 6.620 g |
| Vas | 3.642 Ltr |
| Weight | 0.26 KG |
| Mounting Depth | 45.5 MM |
| Mounting Diameter | 91.5 MM |



MT4 Product List :



MT4 Midrange
X2



Connecting wire
X2



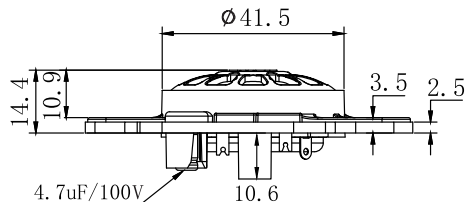
User's Guide
X1



Warranty Card
X1

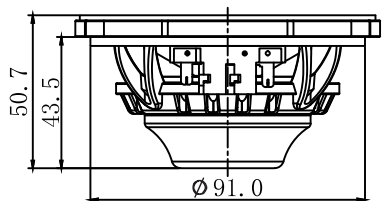
MT4B Tweeter Technical Parameters :

| | |
|-------------------------|-------------|
| Impedance (Ω) | 4 Ω |
| Frequency Response (Hz) | 1200-22K Hz |
| Rated power (W) | 25 W |
| Maximum power (W) | 50 W |
| Sensitivity (dB 1W/1M) | 91 dB |
| Qms | 2.059 |
| Qes | 1.402 |
| Qts | 0.834 |
| Weight | 60 g |

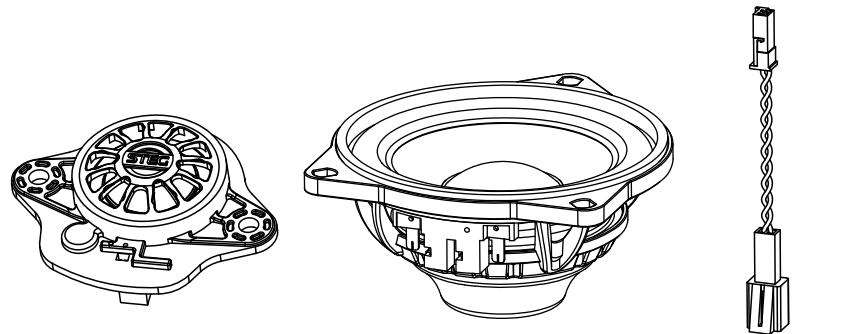


MT4B Midrange Technical Parameters :

| | |
|-------------------------|------------|
| Impedance (Ω) | 4 Ω |
| Frequency Response (Hz) | 90-15K Hz |
| Rated power (W) | 30 W |
| Maximum power (W) | 60 W |
| Sensitivity (dB 1W/1M) | 88 dB |
| Qms | 4.253 |
| Qes | 0.507 |
| Qts | 0.453 |
| Mms | 6.620 g |
| Vas | 3.642 Ltr |
| Weight | 0.26 KG |
| Mounting Depth | 45.5 MM |
| Mounting Diameter | 91.5 MM |



MT4B Product List :



MT4B Tweeter
X1

MT4B Midrange
X1

Connecting wire
X1



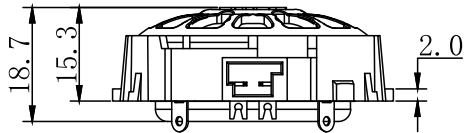
User's Guide
X1



Warranty Card
X1

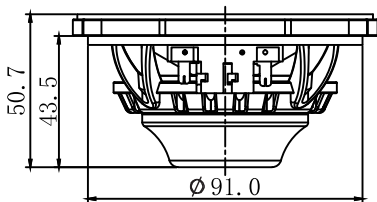
MT4C Tweeter Technical Parameters :

| | |
|-------------------------|-------------|
| Impedance (Ω) | 4 Ω |
| Frequency Response (Hz) | 1200-22K Hz |
| Rated power (W) | 25 W |
| Maximum power (W) | 50 W |
| Sensitivity (dB 1W/1M) | 91 dB |
| Qms | 2.059 |
| Qes | 1.402 |
| Qts | 0.834 |
| Weight | 55 g |

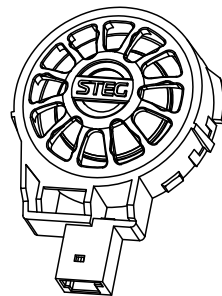


MT4C Midrange Technical Parameters :

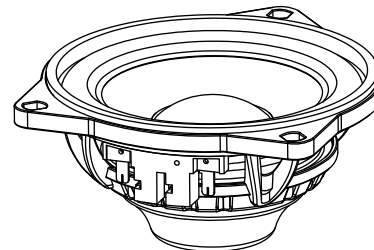
| | |
|-------------------------|------------|
| Impedance (Ω) | 4 Ω |
| Frequency Response (Hz) | 90-15K Hz |
| Rated power (W) | 30 W |
| Maximum power (W) | 60 W |
| Sensitivity (dB 1W/1M) | 88 dB |
| Qms | 4.253 |
| Qes | 0.507 |
| Qts | 0.453 |
| Mms | 6.620 g |
| Vas | 3.642 Ltr |
| Weight | 0.26 KG |
| Mounting Depth | 45.5 MM |
| Mounting Diameter | 91.5 MM |



MT4C Product List :



MT4C Tweeter
X2



MT4C Midrange
X2



Connecting wire
X2



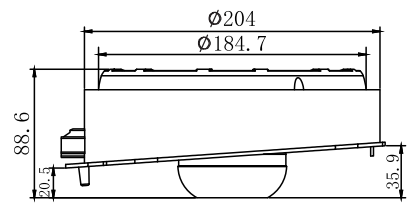
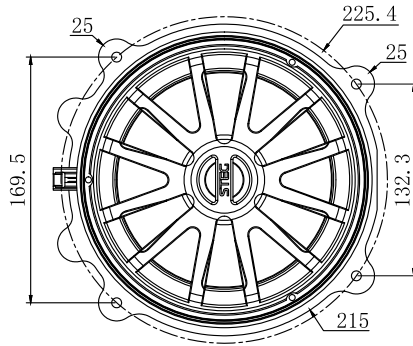
User's Guide
X1



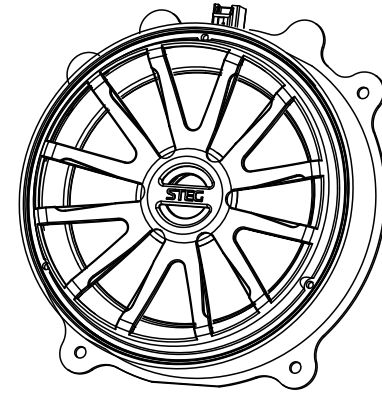
Warranty Card
X1

MT8 Technical Parameters :

| | |
|-------------------------|--------------|
| Model | MT8 |
| Impedance (Ω) | 2.0 Ω |
| Frequency Response (Hz) | 50-5000 Hz |
| Rated power (W) | 50 W |
| Maximum power (W) | 100 W |
| Sensitivity (dB 1W/1M) | 88 dB |
| Qms | 5.461 |
| Qes | 0.356 |
| Qts | 0.334 |
| Mms | 30.614 g |
| Vas | 15.894 Ltr |
| Weight | 1.43 KG |



MT8 Product List :



MT8 Woofer
X2



User's Guide
X1



Warranty Card
X1