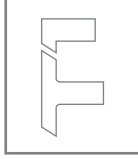


Installation assistance available at:

RFTECH

www.rockfordfosgate.com/rftech

P O W E R



COMPONENT SPEAKERS

T152-S • T16-S

T1650-S • T1675-S • T1T-S

Serial Number: _____ Date of Purchase: _____



600 South Rockford Drive • Tempe, Arizona 85281 United States
Direct: (480) 967-3565 • Toll Free: (800) 669-9899

ROCKFORDFOSGATE.COM



Installation & Operation

Dear Customer,

Congratulations on your purchase of the world's finest brand of audio products. At Rockford Fosgate we are fanatics about musical reproduction at its best, and we are pleased you chose our product. Through years of engineering expertise, hand craftsmanship and critical testing procedures, we have created a wide range of products that reproduce music with all the clarity and richness you deserve.

For maximum performance we recommend you have your new Rockford Fosgate product installed by an Authorized Rockford Fosgate Dealer, as we provide specialized training through Rockford Technical Training Institute (RTTI). Please read your warranty and retain your receipt and original carton for possible future use.

Great product and competent installations are only a piece of the puzzle when it comes to your system. Make sure that your installer is using 100% authentic installation accessories from Rockford Fosgate in your installation. Rockford Fosgate has everything from RCA cables and speaker wire to power wire and battery connectors. Insist on it! After all, your new system deserves nothing but the best.

To add the finishing touch to your new Rockford Fosgate image, order your Rockford accessories, which include everything from T-shirts to hats.

Visit our web site for the latest information on all Rockford products;

www.rockfordfosgate.com

or, in the U.S. call 1-800-669-9899 or FAX 1-800-398-3985. For all other countries, call +001-480-967-3565 or FAX +001-480-966-3983.

Table of Content

- 2 Introduction
- 3-5 Specifications
- 6-11 Installation
 - Installation Considerations
 - Mounting
 - Wiring
 - Tweeter Axis/Attenuation Switch
- 10-11 Additional Languages
 - French
 - Spanish
 - German
 - Italian
- 12 Limited Warranty Information

If, after reading your manual, you still have questions regarding this product, we recommend that you see your Rockford Fosgate dealer. If you need further assistance, you can call us direct at **1-800-669-9899**. Be sure to have your serial number, model number and date of purchase available when you call.

PRACTICE SAFE SOUND
 Continuous exposure to sound pressure levels over 100dB may cause permanent hearing loss. High powered auto sound systems may produce sound pressure levels well over 130dB. Use common sense and practice safe sound.


PRATIQUEZ UNE ÉCOUTE SANS RISQUES
 Une exposition continue à des niveaux de pression acoustique supérieurs à 100 dB peut causer une perte d'acuité auditive permanente. Les systèmes audio de forte puissance pour auto peuvent produire des niveaux de pression acoustique bien au-delà de 130 dB. Faites preuve de bon sens et pratiquez une écoute sans risques


PRACTIQUE EL SONIDO SEGURO
 El contacto continuo con niveles de presión de sonido superiores a 100 dB puede causar la pérdida permanente de la audición. Los sistemas de sonido de alta potencia para automóviles pueden producir niveles de presión de sonido superiores a los 130 dB. Aplique el sentido común y practique el sonido seguro.

PRAKTIZIEREN SIE SICHEREN SOUND
 Fortgesetzte Geräuschdruckpegel von über 100 dB können beim Menschen zu permanentem Hörverlust führen. Leistungsstarke Autosoundsysteme können Geräuschdruckpegel erzeugen, die weit über 130 dB liegen. Bitte wenden Sie gesunden Menschenverstand an und praktizieren Sie sicheren Sound.

OSSERVATE LE REGOLE DEL SUONO SENZA PERICOLI
 La costante esposizione a livelli di pressione acustica al di sopra dei 100dB possono causare la perdita permanente dell'udito. I sistemi audio ad alta potenza possono produrre livelli di pressione acustica ben superiori ai 130dB. Si consiglia il buon senso e l'osservanza delle regole del suono senza pericoli

Safety

This symbol with "WARNING" is intended to alert the user to the presence of important instructions. Failure to heed the instructions will result in severe injury or death.  **WARNING**

This symbol with "CAUTION" is intended to alert the user to the presence of important instructions. Failure to heed the instructions can result in injury or unit damage.  **CAUTION**

- To prevent injury and damage to the unit, please read and follow the instructions in this manual. We want you to enjoy this system, not get a headache.
- If you feel unsure about installing this system yourself, have it installed by a qualified Rockford Fosgate technician.
- Before installation, disconnect the battery negative (-) terminal to prevent damage to the unit, fire and/or possible injury.

Model	T152-S	T16-S	T1650-S	T1675-S	T1T-S
Nominal Diameter	5.25" (133mm)	6" (153mm)	6.5" (165mm)	6.75" (171.5mm)	1.0" (25mm)
Description	2-Way	2-Way	2-Way	2-Way	Tweeter
Nominal Impedance	4Ω	4Ω	4Ω	4Ω	4Ω
Frequency Response	65-22kHz	60-22kHz	47-20kHz	55-22kHz	3kHz-22kHz
Voice Coil Diameter	1.1" (27.9mm)	1.1" (27.9mm)	1.2" (30.5mm)	1.2" (30.5mm)	1.0" (25.4mm)
Power Rating (RMS/Peak)	75W / 150W	80W / 160W	80W / 160W	100W / 200W	75W / 150W
Fs - Free Air Resonance	65 Hz	67 Hz	62 Hz	56 Hz	1.8 kHz
Qts	0.60	0.8	0.74	0.59	N/A
Vas	0.34 ft³ (9.6L)	0.35 ft³ (9.8L)	0.43 ft³ (12.2L)	0.56 ft³ (15.9L)	N/A
Sensitivity (1W/1M)	87dB	86dB	88dB	89dB	90dB
Sensitivity (2.83V/1M)	90dB	89dB	91dB	92dB	93dB
Xmax	0.16" (4.0mm)	0.16" (4.2mm)	0.2" (5mm)	0.15" (3.7mm)	N/A
Mounting Diameter	4.81" (122.2mm)	5.05" (128.2mm)	5.51" (140mm)	5.68" (144.2mm)	1.75" (45mm)
Mounting Depth	1.99" (50.5mm)	1.93" (49.0mm)	2.52" (64.0mm)	2.52" (64.0mm)	0.91" (23mm)
Grille/Trim Ring	YES	YES	YES	YES	YES
Adaptor Plate	YES	YES	NO	YES	NO

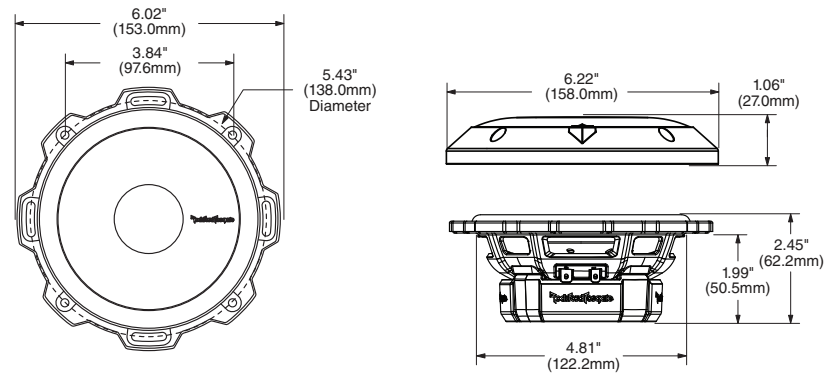
See pages 4-5 for additional dimensions



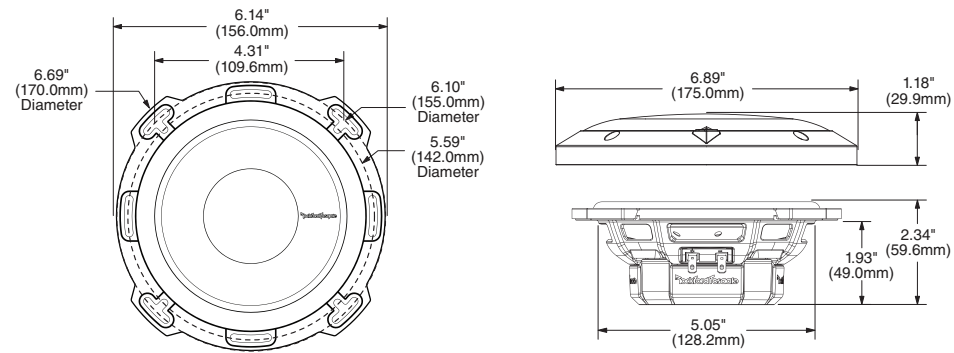
CEA 2031

Power handling on Rockford Fosgate speakers conform to CEA-2031 industry standards. This means your speaker has the capacity to handle power under continuous demand, not instantaneous power handling that over time can damage voice coils.

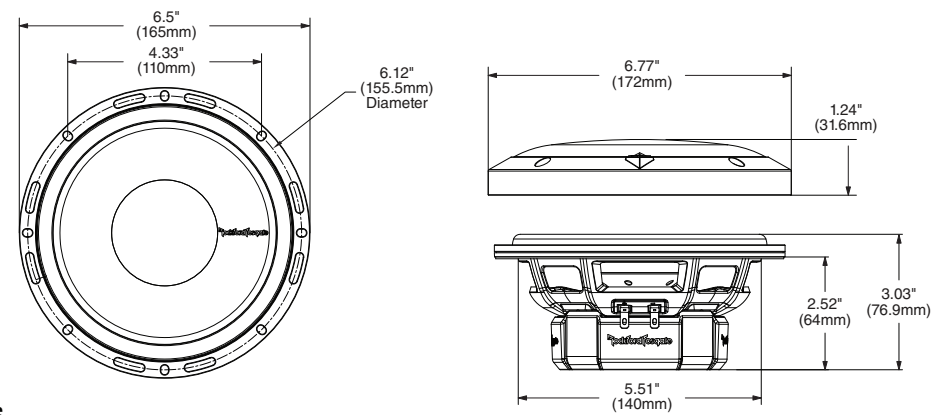
T152-S



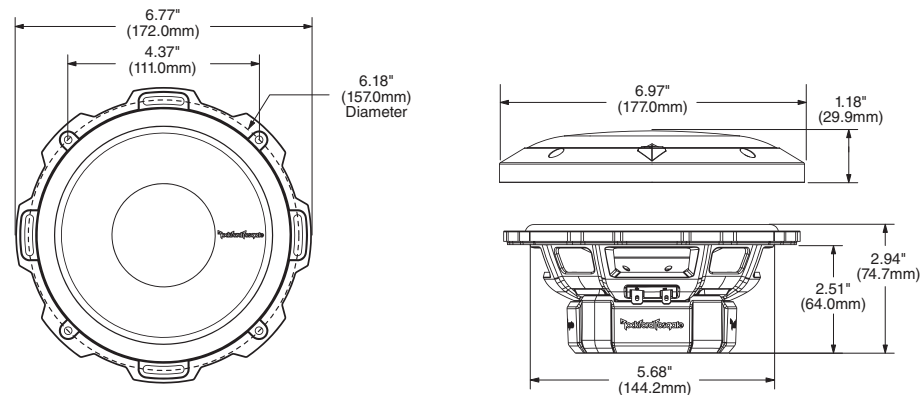
T16-S



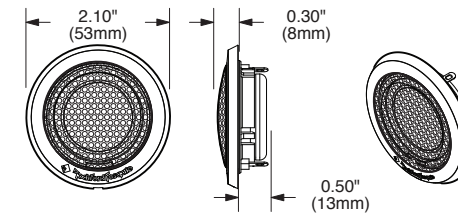
T1650-S



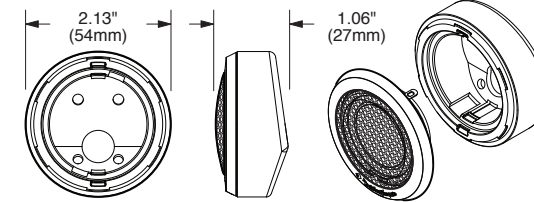
T1675-S



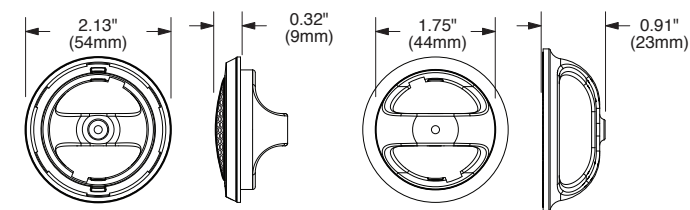
T1T-S



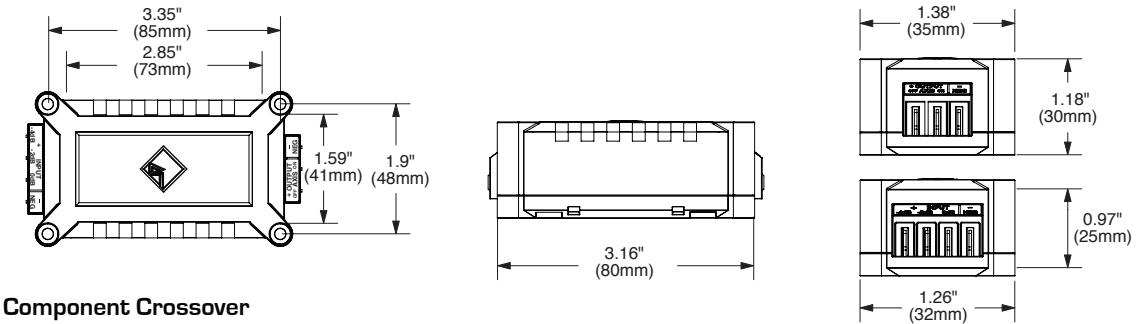
Surface Mount



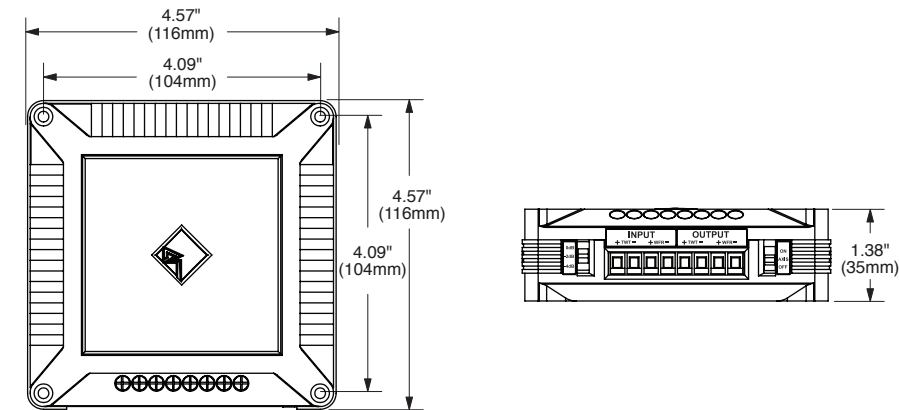
Flush Mount



Tweeter Crossover



Component Crossover



Contents

- (1) Pair Power Series Full Range Component Speakers
- (1) Pair of grilles/trim rings
- Mounting Hardware
- (1) Set adapter plates (5"x7"/6"x9")

Installation Considerations

Before beginning any installation, follow these simple rules:

1. Be sure to carefully read and understand the instructions before attempting to install these speakers.
2. For safety, disconnect the negative lead from the battery prior to beginning the installation.
3. For easier assembly, we suggest you run all wires prior to mounting your speakers in place.
4. Use high quality connectors for a reliable installation and to minimize signal or power loss.
5. Think before you drill! Be careful not to cut or drill into gas tanks, fuel lines, brake or hydraulic lines, vacuum lines or electrical wiring when working on any vehicle. If installation in a boat, take care not to cut or drill through the main hull.
6. Never run wires underneath the vehicle. Running the wires inside the vehicle or hull area provides the best protection.
7. Avoid running wires over or through sharp edges. Use rubber or plastic grommets to protect any wires routed through metal, especially the firewall.

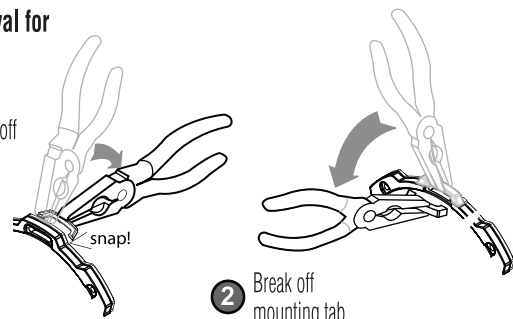
Mounting

Mid-Bass

1. Determine where the speakers will be mounted. Ensure an area large enough for the speaker to mount evenly. Be sure that the mounting location is deep enough for the speaker to fit; if mounting in a door, operate all functions (windows, locks, etc.) through their entire operating range to ensure there is no obstruction.
2. Refer to the specification chart to determine the proper diameter hole to cut for your speaker model. Cutting and mounting templates can be found at www.rockfordfosgate.com.
3. Mark the locations for the mounting screws. Drill the holes with a 1/8" bit.
4. Feed the speaker wires through the cutout and connect to the speaker terminals. Be sure to observe proper polarity when connecting the wires. The speaker's positive terminal is indicated with a "+".
5. Fit the trim ring over the speaker and mount into place using four (4) screws.
6. Tighten the screws until the speaker is snug in place to prevent rattling. Do not over tighten the screws.

Mounting tab removal for some installations

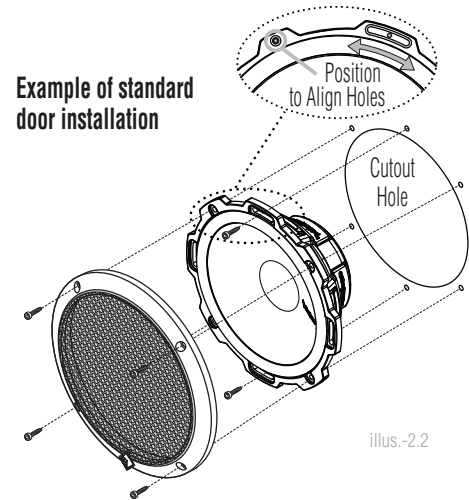
- 1 Use pliers to break off plastic tab.



illus.-2.1

- 2 Break off mounting tab.

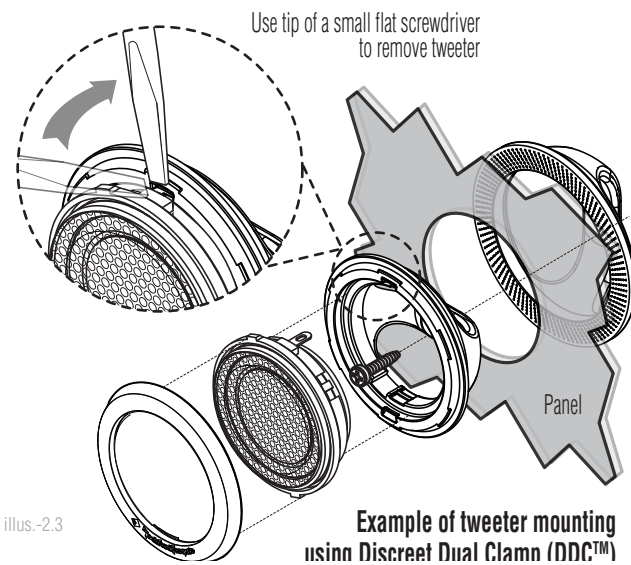
Example of standard door installation



illus.-2.2

Tweeter - Discreet Dual Clamp (DDC™)

1. Determine where the speakers will be mounted. Ensure an area large enough for the speaker to mount evenly. Be sure that the mounting location is deep enough for the speaker to fit; if mounting in a door, operate all functions (windows, locks, etc.) through their entire operating range to ensure there is no obstruction.
2. Mark the location for the mounting hole. Drill the hole with a standard 1.75 inch (45mm) hole saw.
3. With a single center screw secure the inner cup from the front of the door panel to the outer cup from back of the door panel. Tighten the screw until balanced pressure is applied to both faces of the mounting surface.
4. Feed the speaker wires through the cutout and connect to the speaker terminals. Be sure to observe proper polarity when connecting the wires. The speaker's lead wires are indicated with a RED wire "+" and a BLACK wire "-".
5. Simply snap the tweeter into place and secure with a snap-on trim ring. Removal is easy if needed. The protective grille on the tweeter is non-removable and an integral part of the design.



illus.-2.3

Example of tweeter mounting using Discreet Dual Clamp (DDC™)

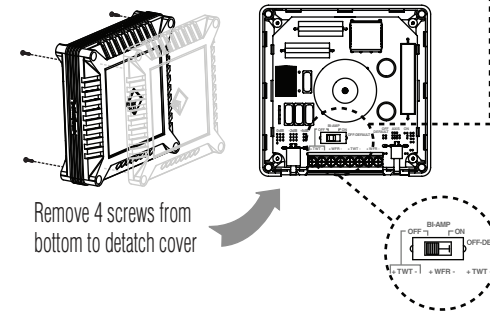
Wiring

Standard

1. Use illustration for proper connection and be sure to maintain speaker polarity.
2. Use only "TWEETER" input(s).

Bi-amp

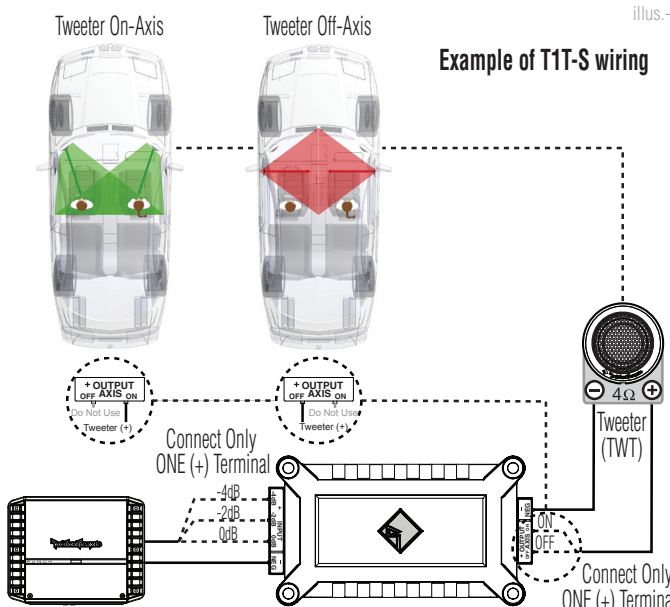
1. Use illustration for proper connection and be sure to maintain speaker polarity.
2. Remove 4 screws from crossover bottom to detach cover.
3. When BI-AMP switched OFF for one amplifier, use only "TWT" input.
4. When BI-AMP switched ON for two dedicated amplifier, use both "TWT" and "WFR" inputs



Remove 4 screws from bottom to detach cover

T1T-S Crossover

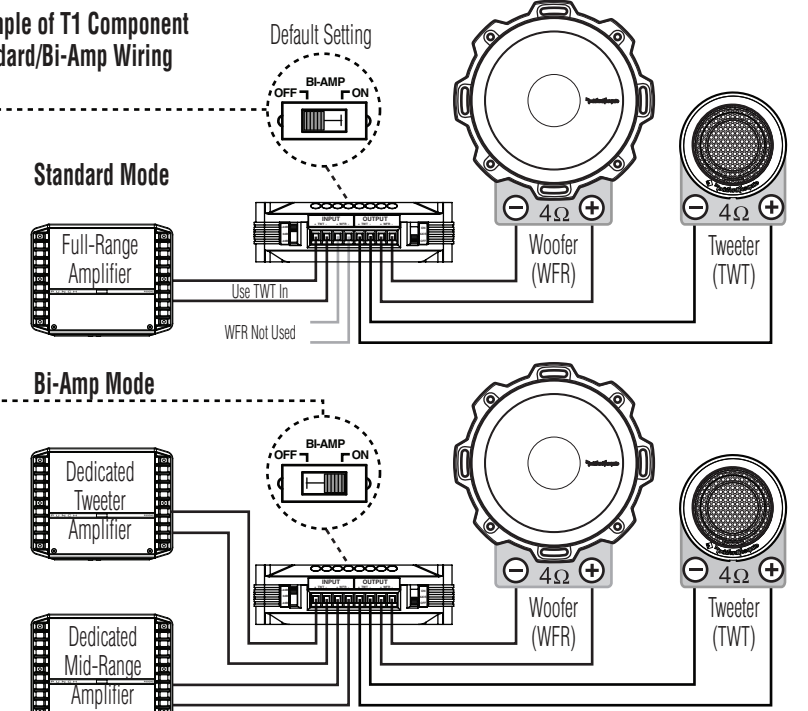
1. Use illustration for proper connection.
2. Be sure to maintain speaker polarity.
3. Connecting the positive wire to 0dB matches the amplitude of the tweeter to the mid-range (woofer).
4. Connecting positive wire to -2dB or -4dB to reduce the amplitude of the tweeter -2dB or -4dB lower than the mid-range, (ideal for tweeters located high in door panels and mid-range low in the kick panel).



illus.-3.2

Example of T1T-S wiring

Example of T1 Component Standard/Bi-Amp Wiring



illus.-3.1

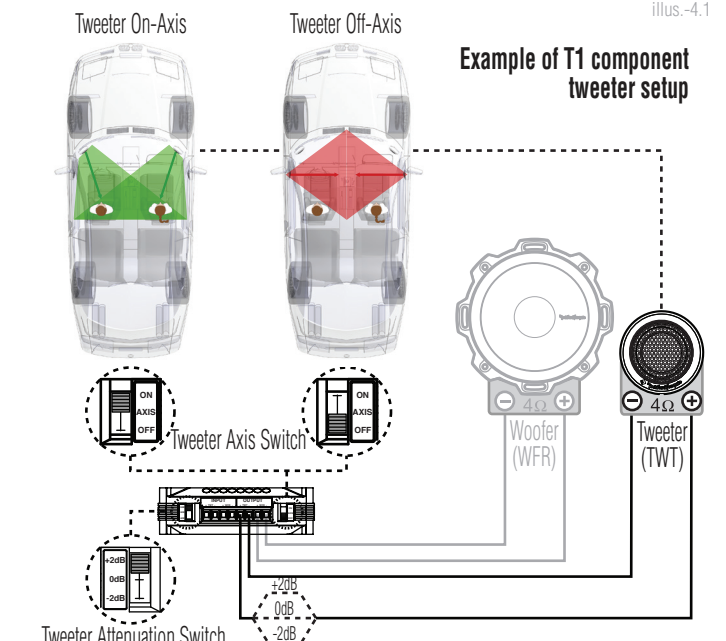
Tweeter ON/OFF Axis Switch

1. Set to ON or OFF to match position of tweeter relative to listener. Default OFF position satisfies most installations.

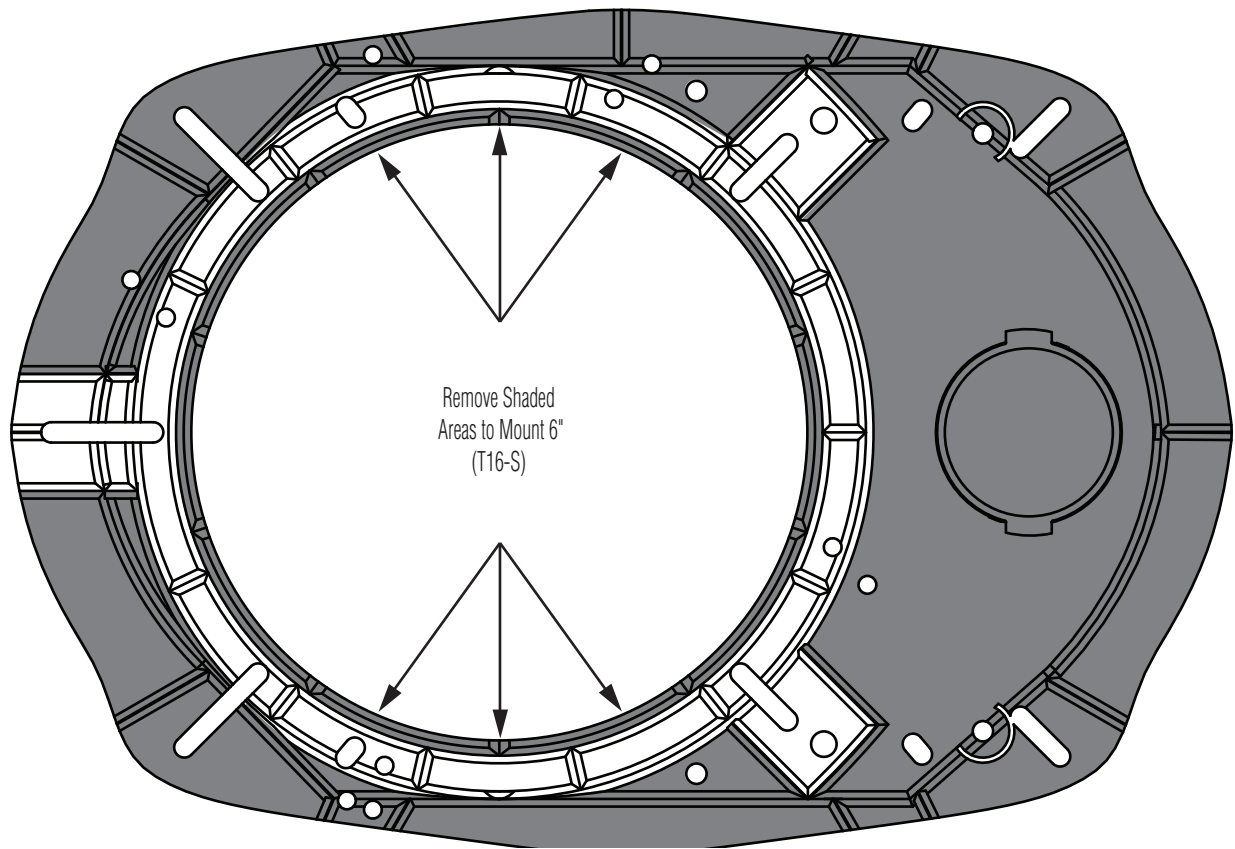
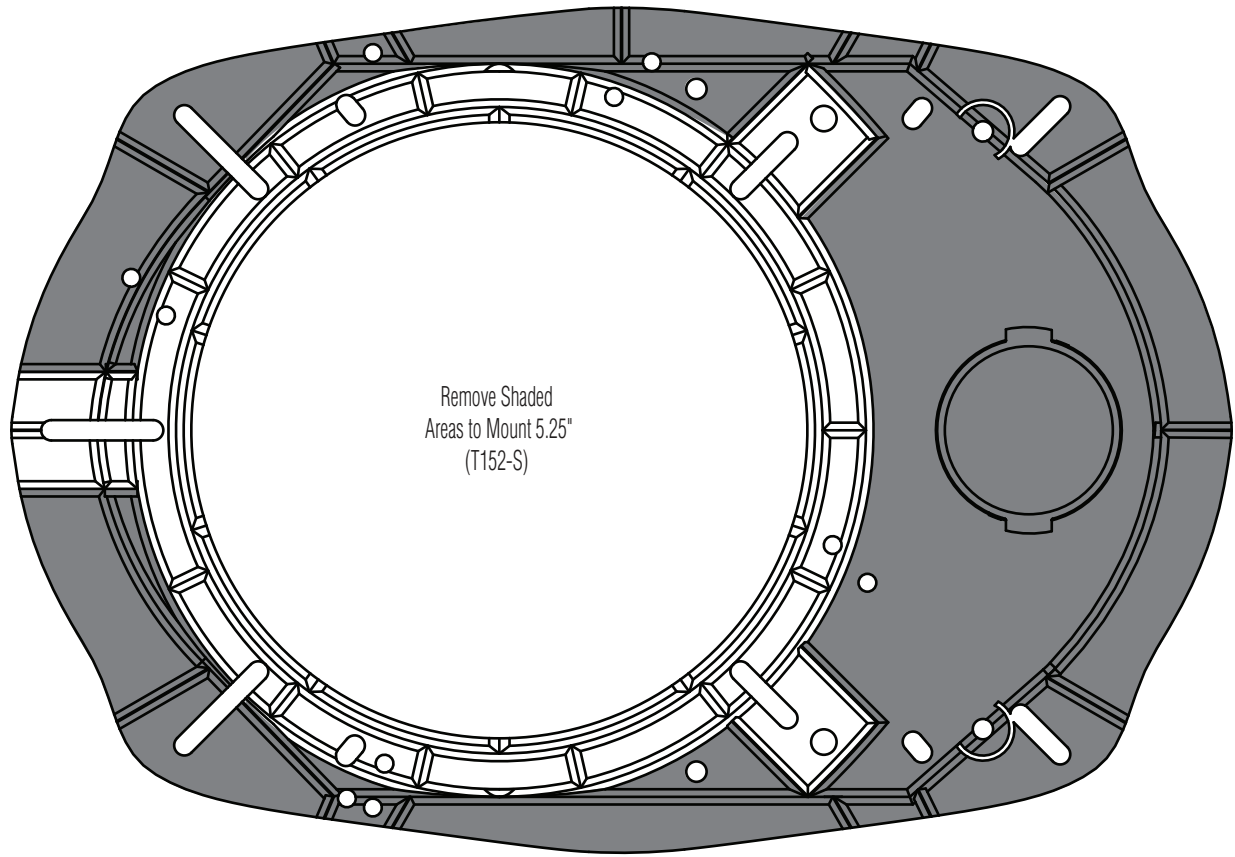
Tweeter Attenuation Switch

1. 0dB matches the amplitude (no increase/no attenuation) of the tweeter to the same level as the mid-range (woofer).
2. +2dB increases and -2dB reduces the amplitude of tweeter in relation to the mid-range, (ideal when matching offset installation like tweeters located high in door panels and midranges low in kick panels).

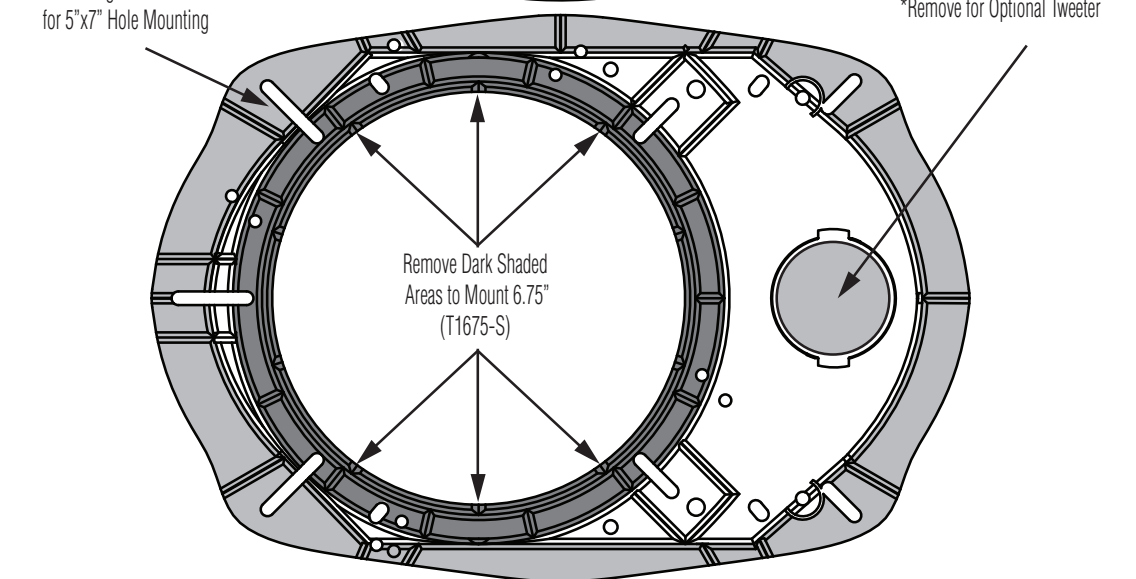
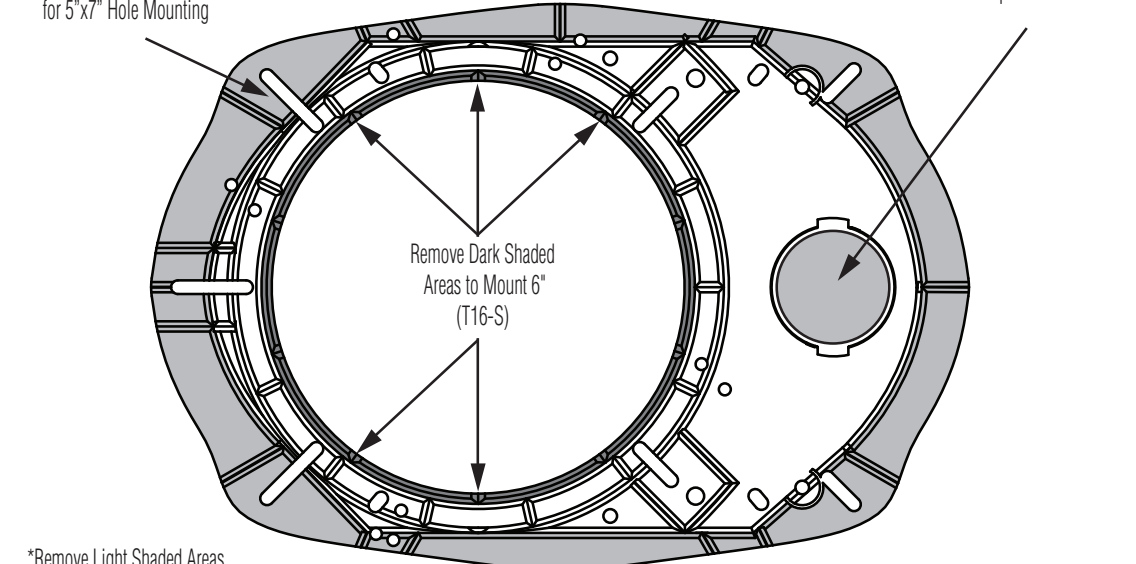
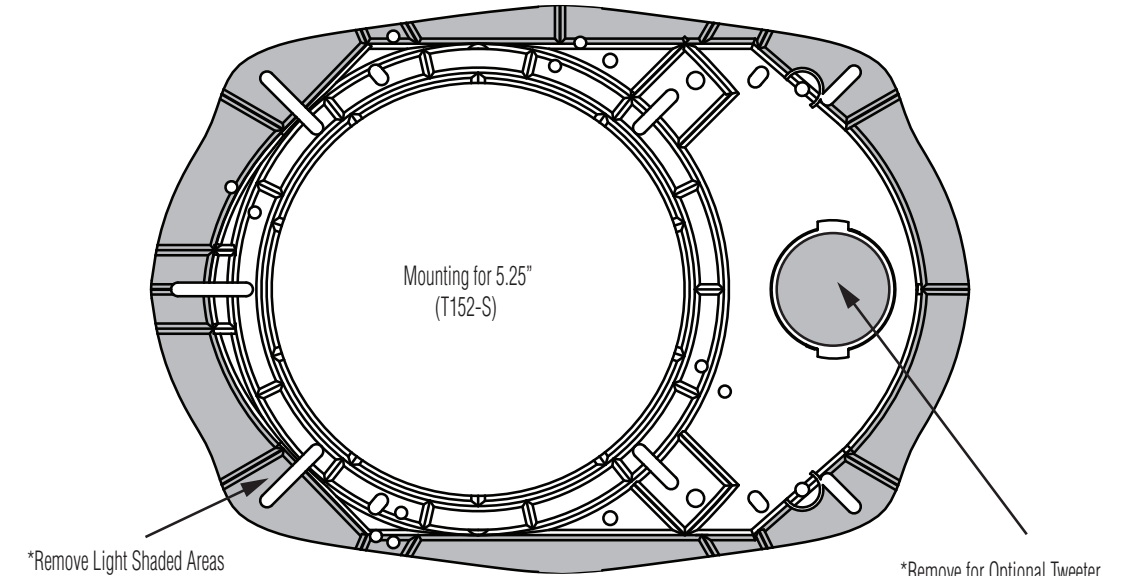
illus.-4.1



Adapter Plate Template - 6.75" Hole Mounting



Adapter Plate Template - 6"x9" Hole Mounting



Warranty

Rockford Corporation offers a limited warranty on Rockford Fosgate products on the following terms:

Length of Warranty

- POWER Amplifiers – 2 Years
- BMW® Direct Fit Speakers – 2 Years
- All other products – 1 Year
- Any Factory Refurbished Product – 90 days (receipt required)

What is Covered

This warranty applies only to Rockford Fosgate products sold to consumers by Authorized Rockford Fosgate Dealers in the United States of America or its possessions. Product purchased by consumers from an Authorized Rockford Fosgate Dealer in another country are covered only by that country's Distributor and not by Rockford Corporation.

Who is Covered

This warranty covers only the original purchaser of Rockford product purchased from an Authorized Rockford Fosgate Dealer in the United States. In order to receive service, the purchaser must provide Rockford with a copy of the receipt stating the customer name, dealer name, product purchased and date of purchase.

Products found to be defective during the warranty period will be repaired or replaced (with a product deemed to be equivalent) at Rockford's discretion.

What is Not Covered

1. Damage caused by accident, abuse, improper operations, water, theft, shipping.
2. Any cost or expense related to the removal or reinstallation of product.
3. Service performed by anyone other than Rockford or an Authorized Rockford Fosgate Service Center.
4. Any product which has had the serial number defaced, altered, or removed.
5. Subsequent damage to other components.
6. Any product purchased outside the U.S.
7. Any product not purchased from an Authorized Rockford Fosgate Dealer.

Limit on Implied Warranties

Any implied warranties including warranties of fitness for use and merchantability are limited in duration to the period of the express warranty set forth above. Some states do not allow limitations on the length of an implied warranty, so this limitation may not apply. No person is authorized to assume for Rockford Fosgate any other liability in connection with the sale of the product.

How to Obtain Service

Contact the Authorized Rockford Fosgate Dealer you purchased this product from. If you need further assistance, call 1-800-669-9899 for Rockford Customer Service. You must obtain an RA# (Return Authorization number) to return any product to Rockford Fosgate. You are responsible for shipment of product to Rockford.

EU Warranty

This product meets the current EU warranty requirements, see your Authorized dealer for details.